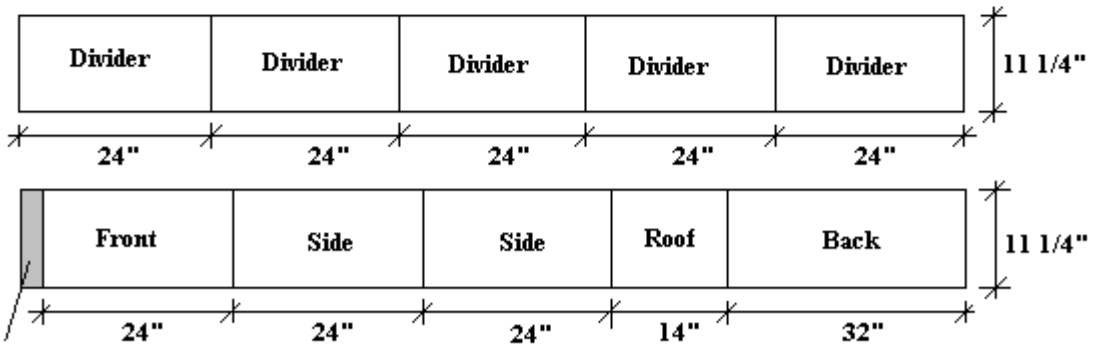
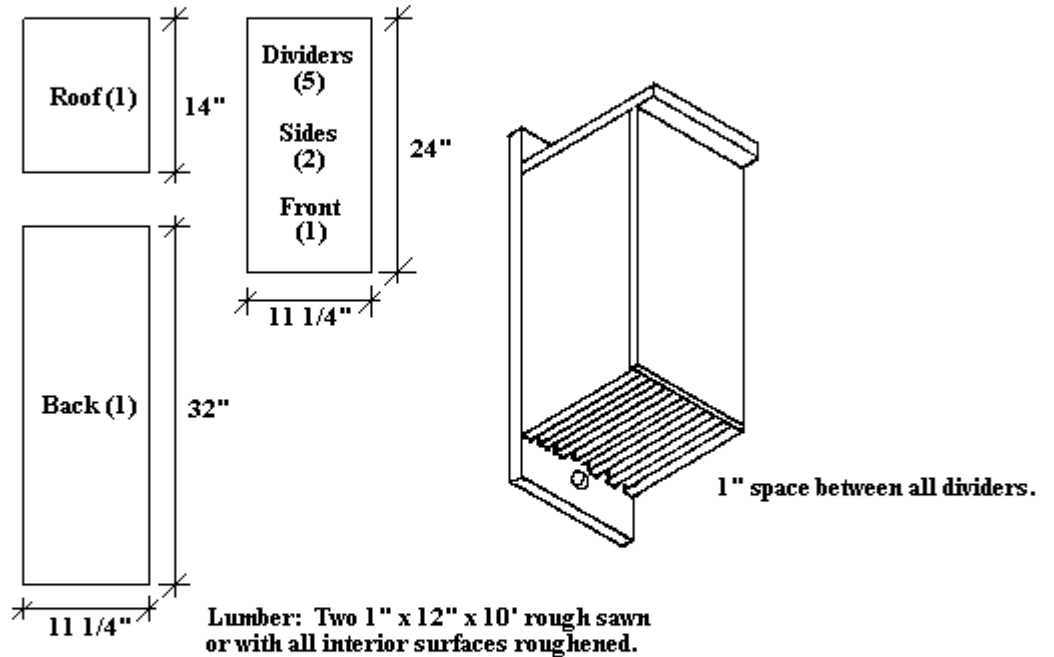


Johnson Bat House



Save!

Note: All external seams and joints should be caulked if not tight fitting. Divider boards are spaced 1 inch apart.